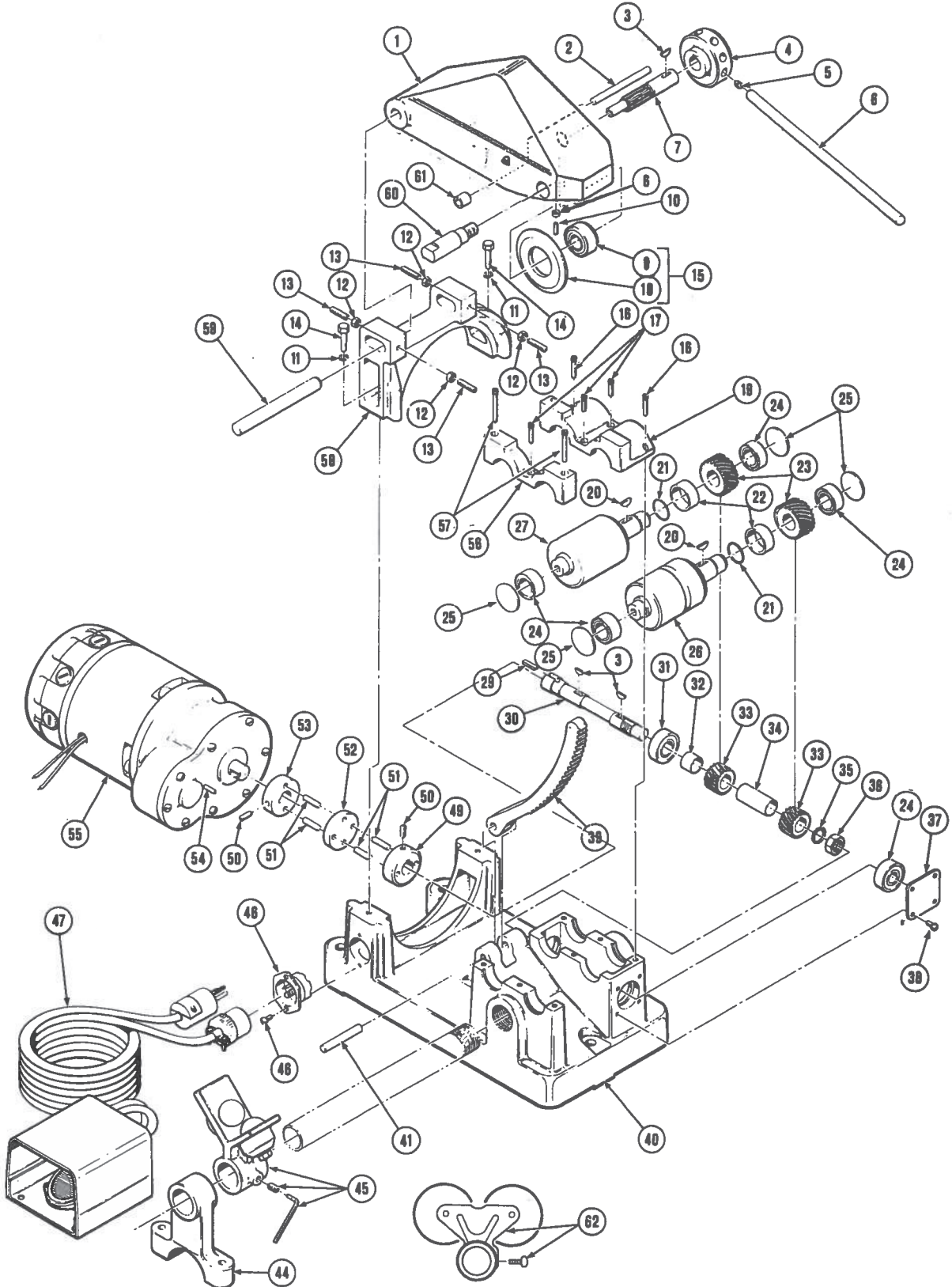


E-Z Cutter Main Assembly





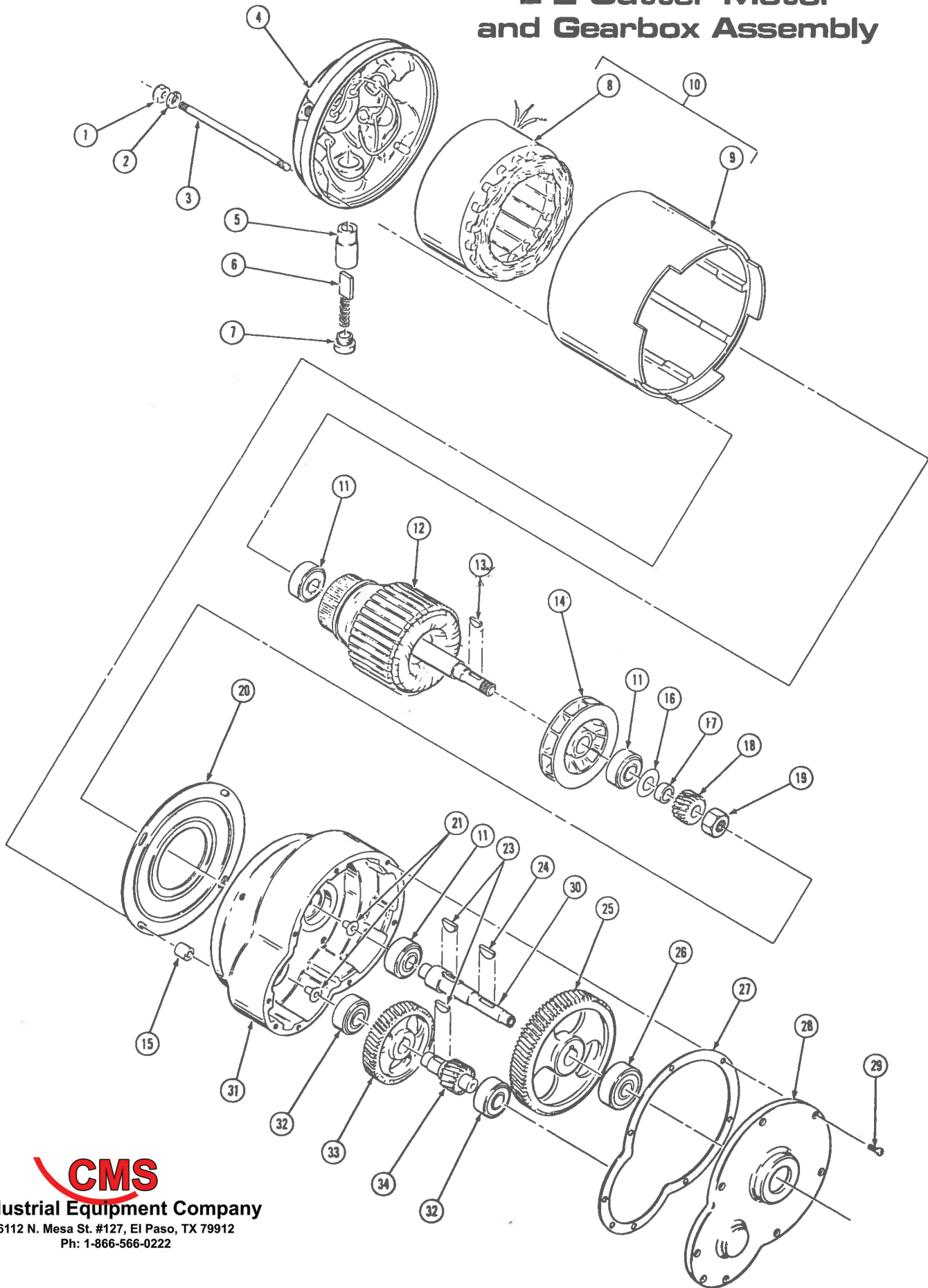
PARTS LIST

6112 N. Mesa St. #127, El Paso, TX 79912
Ph: 1-866-566-0222

E-Z-Cutter Main Assembly
115V. — Part #3000 230V. — Part #3000-1

| Item | Part No. | Description | Req'd | Item | Part No. | Description | Req'd |
|------|----------|--|-------|--------|----------|--|-------|
| 1. | I 432 I | Head, E-Z-Cutter | 1 | 38. | N-503 | Screw, Bearing Cover, Self-Tap. Mach. | 4 |
| 2. | 3220 | Pin, Roller Guide | 1 | 39. | 3442 | Gear Rack | 1 |
| 3. | W-806 | Key, Woodruff | 3 | 40. | I 3069 | Base Assembly w/Bearing Caps | 1 |
| 4. | 3216 | Hub, Feed Wheel | 1 | 41. | 12697 | Pin, Pivot, Rack Gear | 1 |
| 5. | H-201 | Set Screw, Wheel Hub, | 1 | 44. | 3405 | Support, Stationary | 2 |
| 6. | 3218 | Handle, Feed Wheel | 1 | 45. | 13206 | Support Assembly, Ball Bearing Type | 2 |
| 7. | 3443 | Gearshaft, Spur, 8T | 1 | | | Each Assembly Includes | |
| 8. | B-102 | Nut, Gearshaft Locking, | 1 | 13205 | | Body, Pipe Support, Ball Bearing Type (1) | |
| 9. | 3227 | Bearing, Cutting Wheel — See Item #15 | | 13207 | | Caster, Ball Bearing (2) | |
| 10. | H-207 | Set Screw, Gearshaft Locking, | 1 | B-203 | | Nut, Jam, | |
| 11. | C-111 | Washer, Lock, | 2 | CA-111 | | Washer, Lock, | |
| 12. | B-202 | Nut, Jam, | 4 | H-307 | | Set Screw, | |
| 13. | H-312 | Set Screw, Head Allgning, | 4 | 1988-3 | | Wrench, Allen, Set Screw, | |
| 14. | A-306 | Screw, Yoke Att., | 2 | 13896 | | Lubricating Oil, Roll-R-Lube, 2 oz. (Not Shown) (1) | |
| 15. | 3221 | Cutting Wheel Assembly, Pipe (Std. Equipment) | 1 | 46. | NF-305 | Screw, | 2 |
| | 3222 | Cutting Wheel Assembly, Tubing (Optional Equipment) | | 47. | 14330 | Foot Switch Assembly, Heavy Duty, 115V. or | 1 |
| | 3223 | Cutting Wheel Assembly, Soil Pipe (Optional Equipment) | | 14331 | | Foot Switch Assembly, Heavy Duty, 230V. | |
| | 12597 | Cutting Wheel Assembly, Plastic (Optional Equipment) | | 48. | 13732 | Connector, Receptacle, Elect. 115V. or | 1 |
| 16. | F-206 | Screw, Bearing Cap, | 2 | 13733 | | Connector, Receptacle, Elect. 230V. | |
| 17. | F-204 | Screw, Bearing Cap, Soc. Hd. Cap | 3 | 49. | 3046 | Coupling, Gear Shaft | 1 |
| 18. | — | Cutting Wheel, Various Types, See Item #15 Cutting Wheel Assemblies | | 50. | H-205 | Set Screw, | 2 |
| 19. | 12687 | Cap, Bearing, R.H. | 1 | 51. | O-405 | Pin, Coupling, | 4 |
| 20. | W-808 | Key, Woodruff | 2 | 52. | 3048 | Insert, Coupling | 1 |
| 21. | 13072 | Seal, O-Ring | 2 | 53. | 3047 | Coupling, Motor Shaft | 1 |
| 22. | 13054 | Bushing, Seal | 2 | 54. | 3043-4 | Key, Square, Coupling, | 1 |
| 23. | 3022 | Gear, Helical, 20T | 2 | 55. | 3300 | Motor and Gear Case Assembly 115V. or | 1 |
| 24. | 1018-1 | Bearing, | 5 | 3300-1 | | Motor and Gear Case Assembly 230V. | 1 |
| 5. | 3025 | Shield, Bearing | 4 | 56. | 12688 | Cap, Bearing, L.H. | 1 |
| 3. | 12689 | Roller, Drive, Grooved (Complete Grooved Roller Assembly #13070) | 1 | 57. | F-207 | Screw, Bearing Cap, Hex. Soc. | 2 |
| 27. | 12690 | Roller, Drive, Smooth (Complete Smooth Roller Assembly #13071) | 1 | 58. | 12686 | Yoke, Motor | 1 |
| 29. | 3043-5 | Key, Square, | 1 | 59. | 3211 | Bar, Hinge, Head Assembly | 1 |
| 30. | 3031 | Shaft, Roller Drive | 1 | 60. | 3228 | Screw, Shoulder, Cutting Wheel | 1 |
| 31. | 1392-1 | Bearing, | 1 | 61. | 3441 | Roller, Rack Guide | 1 |
| 32. | 3035 | Spacer, Bearing | 1 | 62. | 3400 | Support Assembly, Roller Type, Light Weight | |
| 33. | 3032 | Gear, Helical, 15T | 2 | | | Each Assembly Includes: | |
| 34. | 3034 | Spacer, Gear | 1 | 3401 | | Body, Pipe Support, Roller Type (1) | |
| 35. | CC-117 | Washer, Starlock, | 1 | 3404 | | Thumbscrew, | |
| 36. | B-259 | Nut, Jam, Drive Shaft, | 1 | 1124 | | Screw, Pivot, Roller and Cutter (2) | |
| 37. | 3038 | Cover, Bearing Shaft | 1 | B-253 | | Nut, Jam, | |
| | | | | D-104 | | Washer, | |
| | | | | C-111 | | Washer, | |
| | | | | 3402 | | Roller, Pipe Support, Steel (2) | |

E-Z Cutter Motor and Gearbox Assembly



E-Z-Cutter Motor and Gearbox Assembly

115V. — Part # 3300 230V. — Part # 3300-1

| Description | Req'd | Item | Part No. | Description |
|--|-------|------|----------|---|
| Nut, 1/4"-20 Hex. Hd. | 4 | 14. | 1335 | Fan, armature |
| Washer, lock, 1/4" | 4 | 15. | 1325 | Retainer, stator baffle, neoprene |
| Shaft Rod, motor | 4 | 16. | 1332 | Spacer, slinger |
| Stator Bell Assembly (includes brush holders, but brushes and caps not included) | 1 | 17. | 1333 | Spacer, 20-T helical gear |
| Holder, brush, electrical contact | 6 | 18. | 1336 | Gear, helical, armature, 20-T |
| (included in Item 4, #3350) | 6 | 19. | 1334 | Nut, armature shaft |
| Brush, elect. contact (115V. & 230V.) | 6 | 20. | 1323 | Baffle, stator |
| Cap, brush holder | 6 | 21. | 1383-1 | Plug, gear case, plastic |
| Motor, 115V., single phase, or | | 23. | W-806 | Key, woodruff, 1/4" x 3/4" |
| Motor, 230V., single phase | 1 | 24. | 3043-4 | Key, square 1/4" |
| Winding, stator (115V. & 230V.) | 1 | 25. | 1394 | Gear, helical, 96-T |
| Motor & Housing Assembly, 115V. single-phase or | | 26. | 1392-1 | Bearing, 204 SZZ |
| Motor & Housing Assembly, 230V., single-phase | 1 | 27. | 1381-1 | Gasket, gear case housing |
| Bearing, gear case, 203 SZZ | 3 | 28. | 1382 | Cover, gear case housing |
| Armature, 115V., single phase, or | | 29. | K-1106 | Screw, cover att., 1/4"-20 x 5/8" fillister hd. |
| Armature, 230V., single phase | 1 | 30. | 3384 | Shaft, output, gear box |
| Key, woodruff, 20-T helical gear | 1 | 31. | 1381 | Housing, gear case |
| | | 32. | 1337 | Bearing, 201 SFF |
| | | 33. | 1390 | Gear, helical, 60-T |
| | | 34. | 1395 | Gearshaft, helical, 22-T |



Industrial Equipment Company

6112 N. Mesa St. #127, El Paso, TX 79912

Ph: 1-866-566-0222

Wiring Diagram

